

figure

402

ends  
formflanged  
straight

## CHECK VALVE

body material	nominal pressure	nominal diameter	max. temperature
A grey cast iron	C 16 bar	DN 50-250	100°C



### FEATURES

- allows installation in all positions
- low head losses
- no maintenance

### APPLICATION

- hot and cold water plants
- low-pressure steam plants
- air conditioning systems

Data given can be changed without notice.

Edition 01/2011



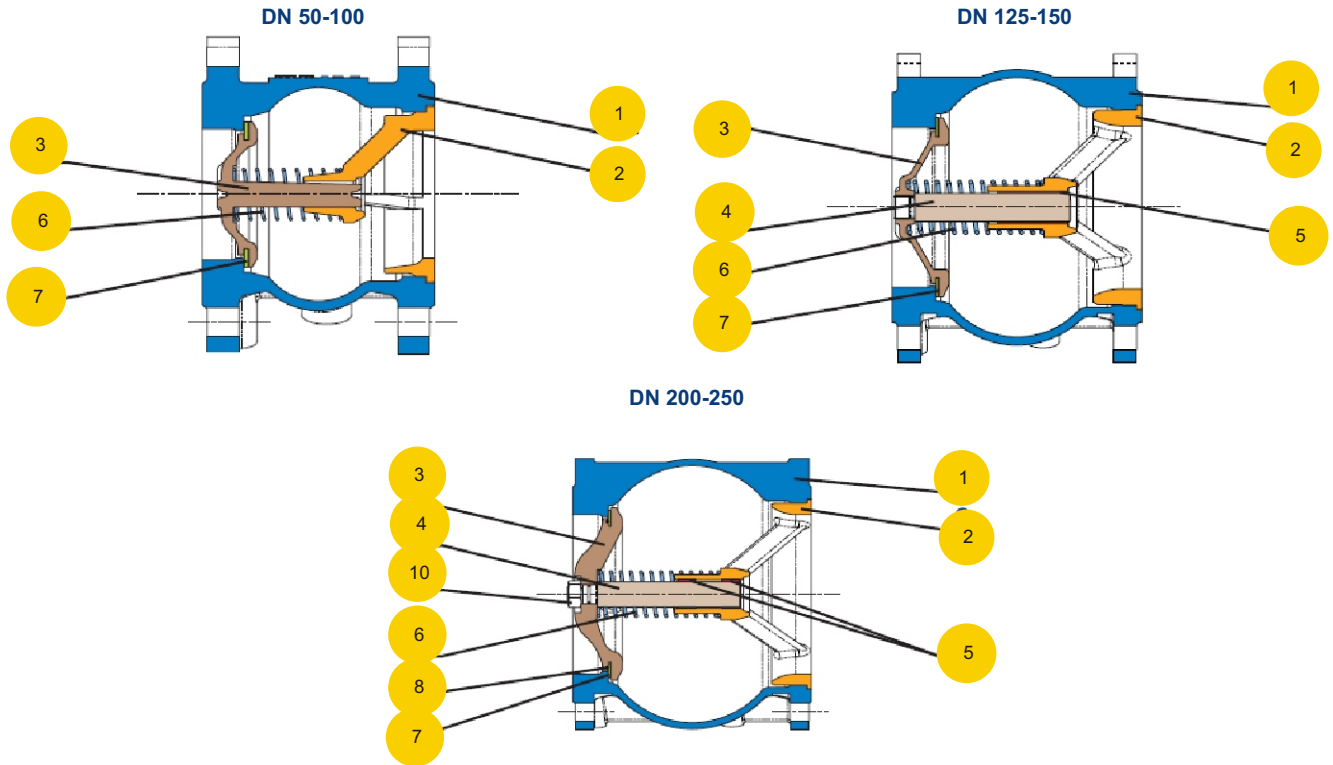
figure

402

ends  
form

flanged  
straight

## MATERIALS



body material		A	
type		52	59
1	body	EN-GJL-250 JL1040	
2	guide (DN 50-100)	brass G/CuZn40Pb2	AISI 316
2	guide (DN 125-250)	EN-GJL-250 JL1040	AISI 316
3	closing system (DN 50-100)	brass G/CuZn40Pb2	AISI 316
3	closing system (DN 125-250)	EN-GJL-250 JL1040	AISI 316
4	guiding stem (DN 125-250)	brass P/CuZn40Pb2	AISI 316
5	shaft housing (DN 125-250)	brass P/CuZn40Pb2	-
6	spring	AISI 302	
7	seal	NBR	
8	hex nut (DN 200-250)	AISI 316	
10	drain plug with O Ring seal *	brass/NBR	
max. temperature		100°C	

\*optional

Data given can be changed without notice.

Edition 01/2011



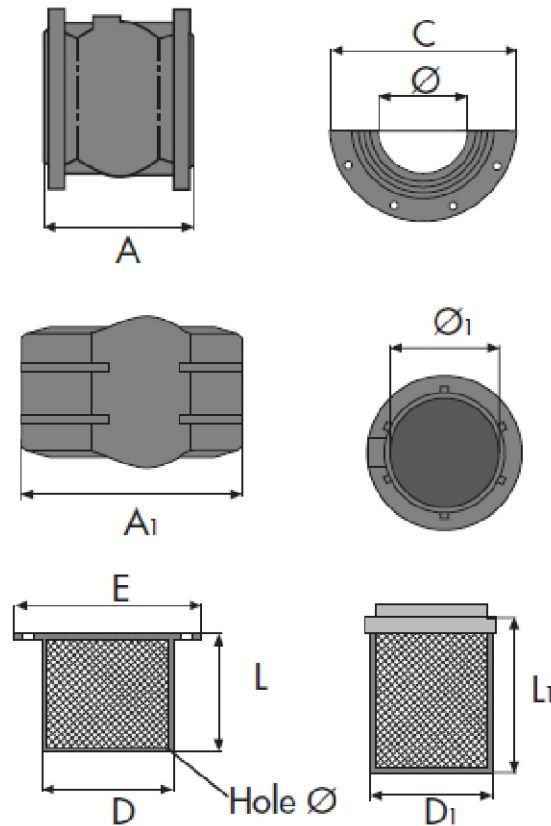
figure

402

ends  
form

flanged  
straight

## DIMENSIONS



DN	Ø	Ø <sub>1</sub>	Hole Ø <sub>1</sub>	A	A <sub>1</sub>	C	D	D <sub>1</sub>	E	L	L <sub>1</sub>	Kv	
mm												m <sup>3</sup> /h	kg
50	50	50	6	100	140	165	111	62	156	80	85	90	5,6
65	65	64	6	120	167	185	131	81	176	100	85	138	7,6
80	80	64	6	140	177	200	148	93	202	120	105	228	9,8
100	100	80	6	170	208	220	168	117	212	150	118	354	13,8
125	125	-	6	200	-	250	198	-	242	175	-	486	20,6
150	150	-	6	230	-	285	222	-	276	200	-	603	28,6
200	200	-	6	300	-	340	278	-	332	250	-	1080	48,6
250	250	-	6	370	-	405	329	-	385	300	-	1770	81,4

Data given can be changed without notice.

Edition 01/2011



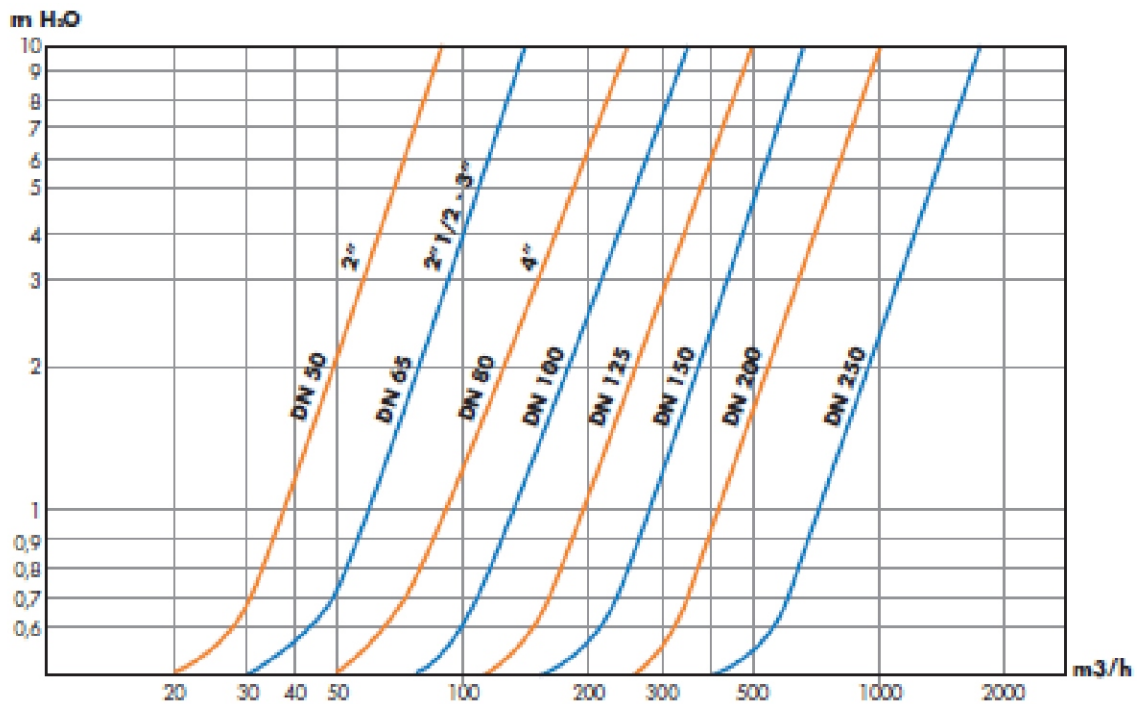
figure

402

ends  
form

flanged  
straight

## HYDRAULIC CHARACTERISTICS



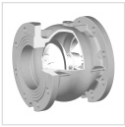


figure	<b>402</b>
ends form	flanged straight

## TYPES

figure	body material	nominal diameter DN	nominal pressure PN	type
402	A grey cast iron EN-GJL-250	50-250 mm	C 16bar	52 Tmax 100 °C * spring - stainless steel * guide - brass (DN 50-100), GJL 250 (DN 125-250)
		50-250 mm	C 16bar	59 Tmax 100 °C * spring, guide, guiding stem - AISI 316

## ORDERING

To place an order please use our product number (index)



### ORDER EXAMPLE

